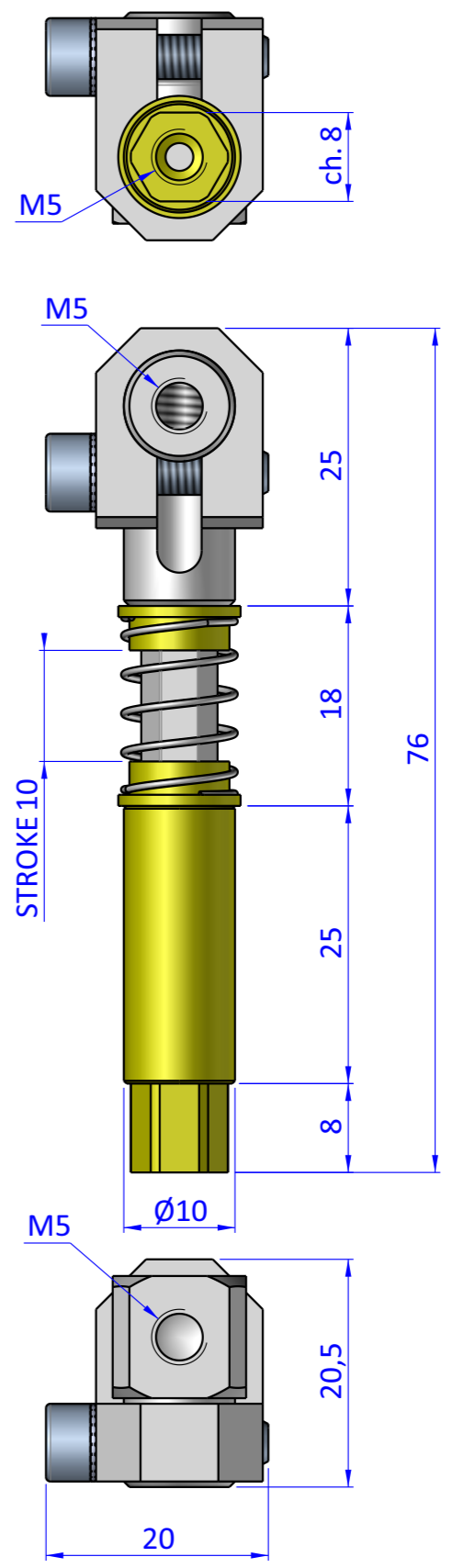
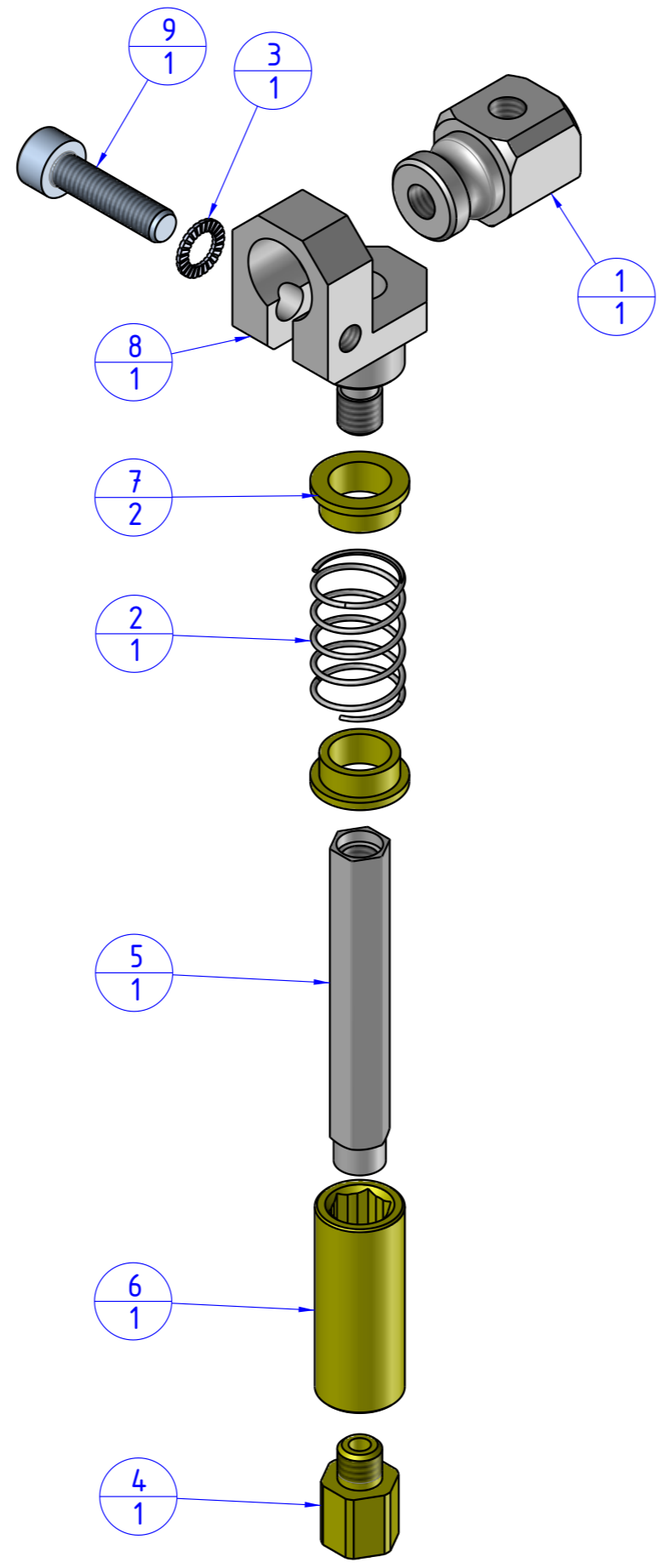



THE PROPERTY OF THE DRAWING IS ESTABLISHED BY LAW. IT IS FORBIDDEN TO PRODUCE OR SHOW IT TO THIRD PART. WITHOUT A WRITTEN AGREEMENT.

| Item | Name | Q.ty |
|------|----------------|------|
| 1 | GGB.10.5.5 | 1 |
| 2 | M.10.5x28 | 1 |
| 3 | R.4.SCH | 1 |
| 4 | SAE.10050510.1 | 1 |
| 5 | SAE.10050510.2 | 1 |
| 6 | SAE.10050510.3 | 1 |
| 7 | SAE.10050510.4 | 2 |
| 8 | SSN.10100505.1 | 1 |
| 9 | V.TCE4x16 | 1 |



Format A3
UNI 936-76

| | | | | |
|--|--|-----------------|--|-----------------|
|  FPS FPSERVICES AUTOMATION | | DESIGNED FROM | | REVIEW |
| | | FPS Automation | | A |
| GENERAL TOLERANCE | | DATE | | WEIGHT |
| UNI - ISO 2768 | | 21/01/2022 | | 0,034kg |
| CLASSE f | | CODE | | |
| | | CA.SAS.10050510 | | CA.SAS.10050510 |